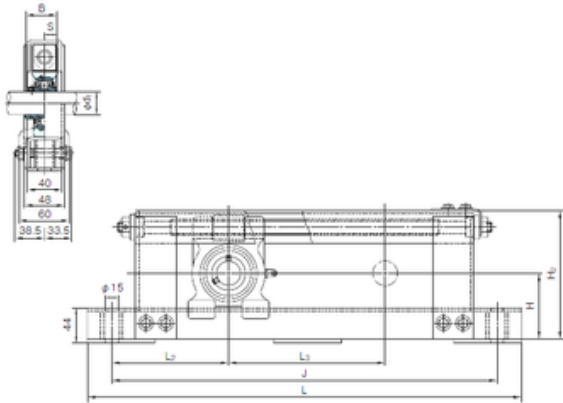




NACHI UCTL204+WL300 unit é s de roulement



Bearing No. UCTL204+WL300

Bore Diameter	20 mm
Width	31 mm
d	20 mm
L2	135 mm
L3	300 mm
B	31 mm
H	77 mm
H2	146 mm
J	570 mm
L	630 mm
S	12,7 mm
Bolt (G)	M12

UCTL204+WL300 Bearing 2D drawings and 3D CAD models